


Qty Description

2 1/4" SS Lock Washers
[WASHER/LK/SL]

10 1/4" SS Flat Washers
[WASHER/FW/SL]
(2) 6mm provided

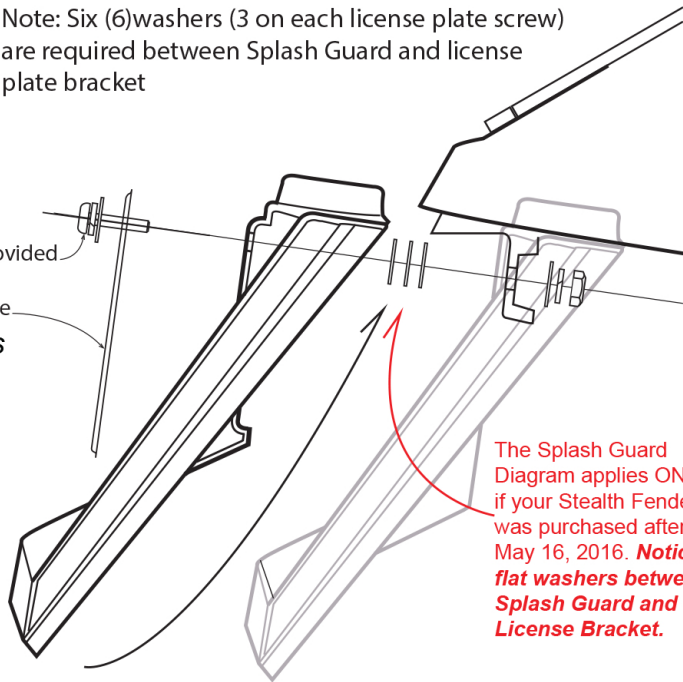
2 6mm x 1 x 25 mm screws
[BOLT/RND/MET]

2 6mm hex nuts
[NUT/METRC/HEX]

1 Assembly Instructions


2 10" zip ties


Note: Six (6) washers (3 on each license plate screw) are required between Splash Guard and license plate bracket



1. Stack the license plate screws and washers in position on and under the Splash Guard. (See diagram)

2. Place the Splash Guard tabs up and under the trailing edge of the fender and secure with flat washers, lock washers and hex nuts on both sides of the assembly.

3. Hold firmly up in place, centering the assembly as you tighten the left and right sides.

Clean the Stealth Splash Guard with water and car washing detergents. Avoid contact with petroleum solvents.

Packaged by	Date:
-------------	-------

Checked by	Date:
------------	-------